

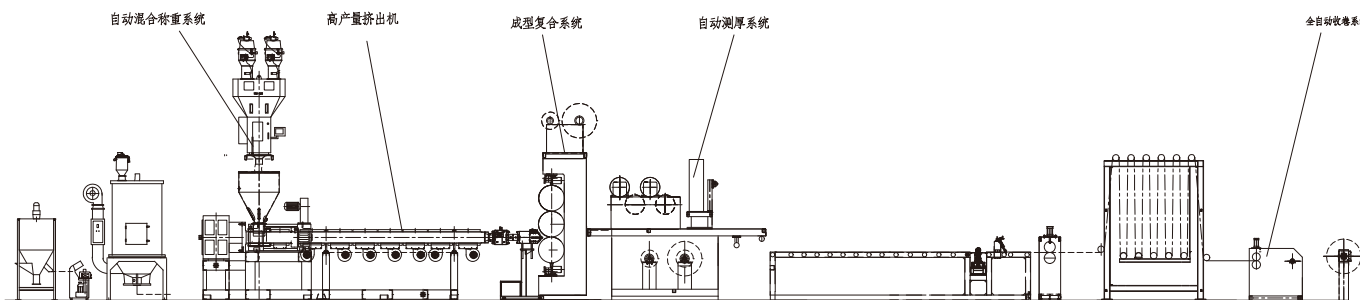
**PE、EVA、ECB防水卷材生产线**  
PE、EVA、ECB Waterproof Sheet Extrusion Line

主要用于生产PE、EVA、ECB均质、复合型防水卷材，产品宽度2000—4000mm。整套设备在铁道部CRCC认证标准的框架下设计制造，并且根据原料的性能，结合多年的对防水卷材生产工艺的把握，使设备更具良好的可操作性，质量的保证性。

设备组成：  
原料自动计量→混合→挤出机→成型（单、双面复合）→在线测厚→激光打码→自动收卷（称重计量）→自动包装

This machine is used for PE, EVA, ECB homogeneous or composite waterproof roll with width 2000-4000mm. The complete unit is designed and manufactured under approved standard CRCC of ministry of railways with consideration of raw material characteristics combined with abundant waterproof roller manufacturing experience. All these help to facilitate the operation and strength quality reliability.

Equipment consists of  
Raw material automatic dosing→mixing→extruder→foaming(single&both side coating)→on-line thickness gauge→laser printing→automatic winder(weighing dosing)→automatic packaging



上海厂区：上海市嘉定区黄渡工业区春意路111号  
Add: No.111, Chunyi Rd, Huangdu Industrial Zone, Shanghai



常州厂区：江苏省常州市溧阳溧城镇上上路118号  
Add: No.118, Shangshang Road, Licheng Town, Liyang, Changzhou city

电话 Tel: 0086-21-69591681 69591111 69593737  
13817553745 13817069956 13918873922 13918876288  
传真 Fax: 0086-21-69595488  
邮箱 E-mail: salmaf@jwell.cn sales@jwell.cn  
www.jwell.cn www.jwell-plate.com



版本: 2017.12



**高分子防水卷材及土工材料设备系列**

**HIGH POLYMER WATERPROOF SHEET AND GEOSYNTHETICS MATERIAL EQUIPMENT SERIES**



**TPO、PE、EVA防水卷材生产线**  
TPO、PE、EVA Waterproof Sheet Extrusion Line

金纬公司最新技术采用实心轧辊复合工艺，使国内卷材的抗风揭性能达到进口产品标准。TPO防水卷材，是由热塑性聚烯烃加入抗氧化剂、防老剂、软化剂等挤出成型的，中间有聚酯网布增强层，表面附以织物纤维、铝膜而制成的新型防水卷材。TPO防水卷材具有优异的耐候性和柔韧性。主要各种屋面、地下室、隧道等建筑用防水领域。

Jwell company adopts the solid roll for combining multilayers, this new technology make the TPO sheet having a good function against wind uncovering. TPO waterproof sheet is a new type of waterproof product, which is produced with thermoplastic polyolefin plus antioxidant and plastifier and so on, the middle layer is polyester fabric for reinforcement, the surface is laminated with textile fiber and aluminum foil. This kind of TPO waterproof sheet has the features of good weatherproof and suppleness. It is mainly used for house, tunnel, basement architecture and other waterproof fields.

**上海金纬片板膜设备制造有限公司**  
SHANGHAI JWELL PLATE & SHEET EQUIPMENT CO., LTD.  
**常州金纬片板膜科技有限公司**  
CHANGZHOU JWELL PLATE & SHEET EQUIPMENT TECHNOLOGY CO., LTD.

## 8米土工膜/防水卷材生产线

### 8m Geomembrane/Waterproof Sheet Extrusion Line

超宽幅土工膜/防水卷材生产线，根据防水和土工领域的特殊要求，上海金纬推出了低剪切的高产低耗挤出系统，以及专用辊架和辊筒结构设计，提高了超宽幅土工膜产品的性能和厚度精度。  
PE土工膜/防水卷材主要用于民用建筑防水：包括种植屋面、平屋面、坡屋面、建筑物地下防水；以及工业工程防水：包括水库、堤坝、水池防水、隧道、粮库、人防工程、垃圾掩埋场、人工湖防水等。

#### Extra-width Geomembrane/Waterproof Sheet Extrusion Line

Referring to the special request of waterproof and geomembrane industry, Shanghai JWELL launched a high capacity extrusion line with low shear & energy consumption. The exclusive design of calender frame and roller structure are helpful to tighten the performance of extra-width geomembrane and precision of thickness.

#### PE Geomembrane/Waterproof Sheet

It is for waterproofing usage in industrial & civil buildings including the green roof, flat roof and the sloping roof. Under-ground waterproof: reservoir, dam, pool, waterproof usage in Tunnel, grain depot, artificial engineering, landfill, Artificial lake.



## PVC、CPE防水卷材生产线

### PVC、CPE Waterproof Sheet Extrusion Line

适上海金纬特殊设计的螺杆结构，针对此类防水卷材的配方中都是含氯的粉状原料及其不稳定的特性，设备可生产均质型、增强型、背衬型防水卷材，配套涂胶设备可生产自粘型及预铺反粘型产品。

Jwell designed the screw structure specially for this type water-proof sheet's production formulation which includes the powder material with chlorine and its unstability features. The extrusion line can produce homogenous type, reinforced type and backing lamination type water-proof sheet, combined with glue coating machine, it can also produce self-sticky type and pre-laid anti-sticky type products.



## 塑料土工格栅生产线

### Plastic geogrid extrusion line

由高密度聚乙烯（HDPE）、聚丙烯（PP）树脂挤出成型工艺制成的土工材料，产品广泛应用于水利、公路、铁路、煤矿、建筑等工程领域。如用于建坝、护坝、护坡，防汛防洪网笼，高速公路、铁路、路基加固，挡土墙护网、矿井顶网，由于在工程应用中表现出的优越性能，以及产品低成本、高效率的特点，市场前景广阔。

It is made of HDPE and PP, produced by extrusion process. It is widely used in irrigation, highway, railway, mine and building project, for example it's used to build dam, protect dam and slope, protect network of preventing flood, fix the road-bed and etc. The product has a high perspective among the markets because of its effective features.



## HDPE、PP止水/蓄排水板生产线

### HDPE、PP T-Grip Sheet / Water Drainage Sheet Extrusion Line

塑料止水板主要用于混凝土浇注时设置在施工缝及变形缝内与混凝土构成为一体的基础工程，如隧道、涵洞、引水渡槽、拦水坝、贮液构筑物、地下设施等；它利用高分子材料具有的弹性变形特性在建筑构造接缝中起到防漏、防渗作用，且具有耐腐蚀、耐久性好的特点。制品宽度1000-3000mm，产量300-500kg/h。

T-grip sheet is mainly used in basis construction concrete casting of the construction joints and deformation constitute the basis of engineering for the integration and joints of concrete, such as tunnel, culvert, aqueduct, dam, reservoir structures, underground facilities; Because of elastic deformation characteristics, people use it for seal up and impermeable of construction, features anti-erosion, good durability wear durableness. Product width 1000-3000mm, machine output 300-500kg/h.

排水板具有圆锥形凸台的一种立体支撑的空间结构，既具有排水功能，又具有蓄水功能的一种轻型板材，板材空间刚度极高，抗压性强。主要用于地下工程顶板或屋顶绿化中。制品厚度0.5-3mm，宽度2000-5000mm。

The outer figure of water drainage sheet is cone salient, functions of draining water and storing water, features of high stiffness and pressure resistance. Used for underground construction or roofing green. Product thickness 0.5-3mm and width 2000-5000mm.

